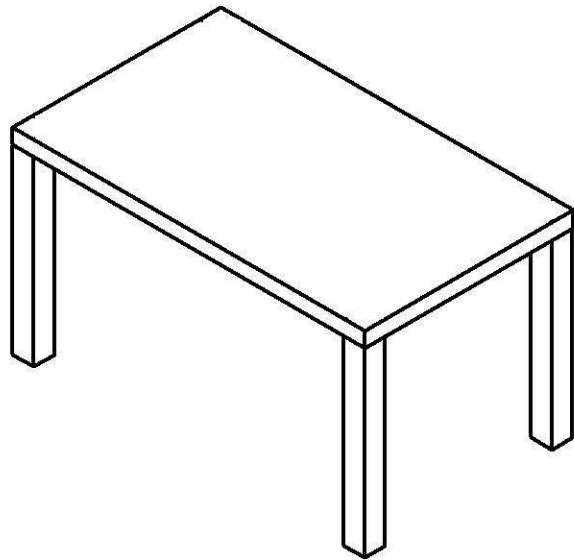


# ASSEMBLY INSTRUCTIONS

DINING TABLE

S.250.7 CUBIC 110



## COMPONENTS:

